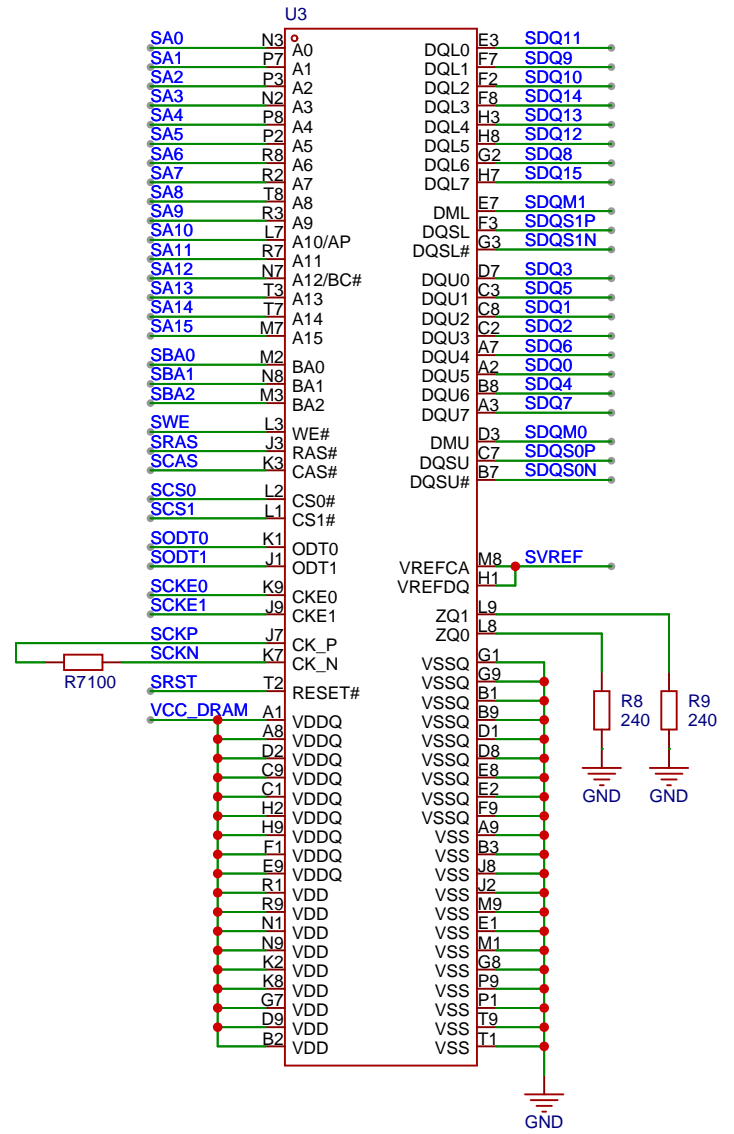
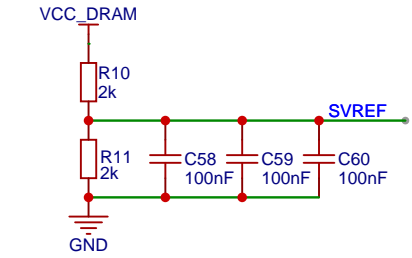
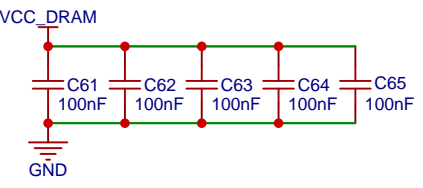
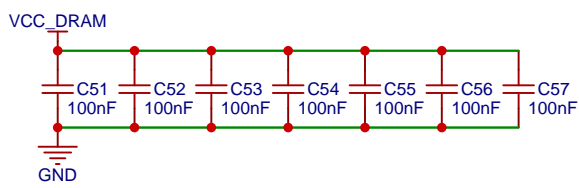
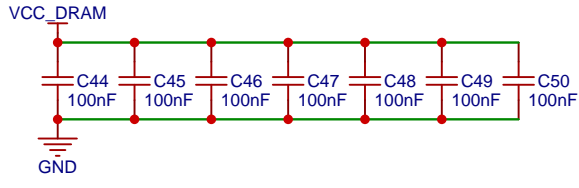
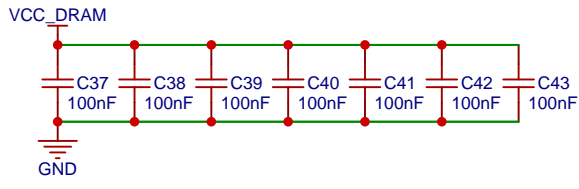
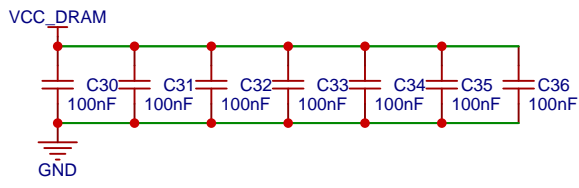
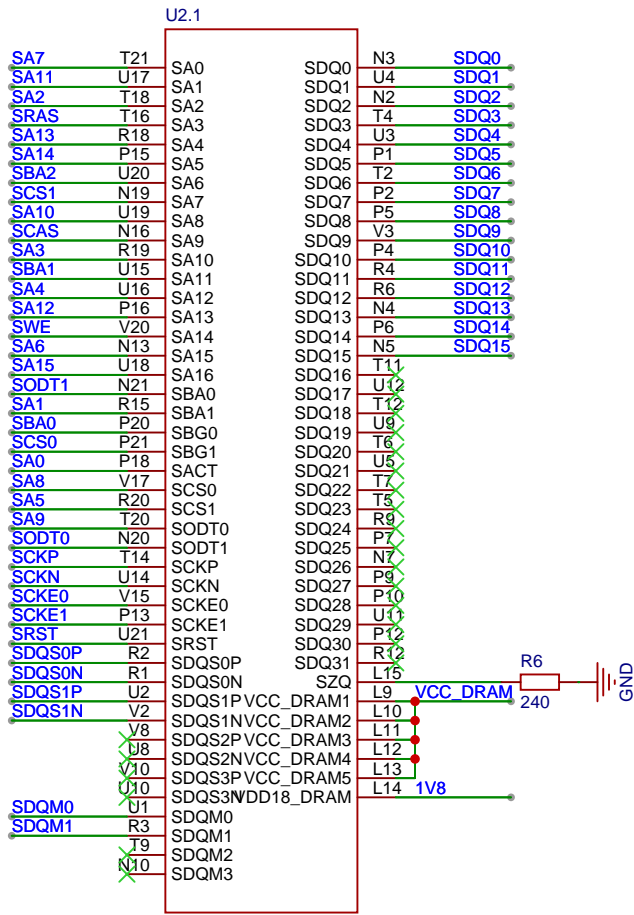
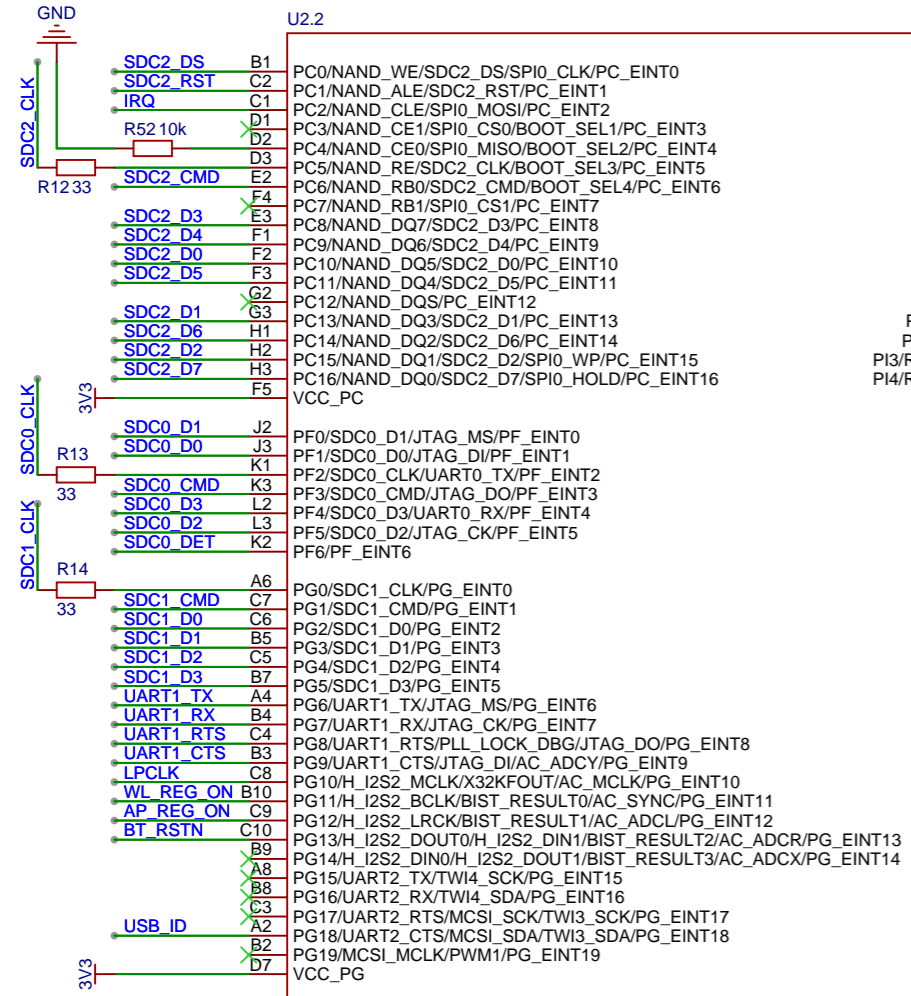


TITLE: blueberry		REV: 1.0
Company:		Sheet: 1/1
Date: 2022-11-09	Drawn By: aixiao@aixiao.me	





1101 BOOT SEL: SDCARD -> EMMC



PH0/UART0_TX/CAN_TX/PWM3/TWI1_SCK/PH_EINT0	D16	PH0
PH1/UART0_RX/CAN_RX/PWM4/TWI1_SDA/PH_EINT1	D15	PH1
PH2/UART5_TX/SPDIF_CLK/PWM2/TWI2_SCK/PH_EINT2/EPHY-SPD-LED	B15	PH2
PH3/UART5_RX/SPDIF_IN/PWM1/TWI2_SDA/PH_EINT3/EPHY-LINK-LED	C15	PH3
PH4/SPDIF_OUT/TWI3_SCK/PH_EINT4	A14	PH4
PH5/UART2_TX/H_I2S3_MCLK/SPI1_CS0/TWI3_SDA/PH_EINT5	B14	PH5
PH6/UART2_RX/H_I2S3_BCLK/SPI1_CLK/TWI4_SCK/PH_EINT6	C14	PH6
PH7/UART2_RTS/H_I2S3_LRCK/SPI1_MOSI/TWI4_SDA/PH_EINT7	B12	PH7
PH8/UART2_CTS/H_I2S3_DOUT0/SPI1_MISO/H_I2S3_DIN1/PH_EINT8	C13	PH8
PH9/H_I2S3_DIN0/SPI1_CS1/H_I2S3_DOUT1/PH_EINT9	A12	PH9
PH10/IR_RX/TCON_TRIG1/PH_EINT10	B13	PH10
PI0/RGMII_RXD3/RMII_NULL/DMIC_CLK/H_I2S0_MCLK/HDMI_SCL/PI_EINT0	H6	PI0
PI1/RGMII_RXD2/RMII_NULL/DMIC_DATA0/H_I2S0_BCLK/HDMI_SDA/PI_EINT1	D4	PI1
PI2/RGMII_RXD1/RMII_RXD1/DMIC_DATA1/H_I2S0_LRCK/HDMI_CEC/PI_EINT2	G6	PI2
PI3/RGMII_RXD0/RMII_RXD0/DMIC_DATA2/H_I2S0_DOUT0/H_I2S0_DIN1/PI_EINT3	E4	PI3
PI4/RGMII_RXCK/RMII_NULL/DMIC_DATA3/H_I2S0_DIN0/H_I2S0_DOUT1/PI_EINT4	G5	PI4
PI5/RGMII_RXCTL/RMII_CRS_DV/UART2_TX/TS0_CLK/TWI0_SCK/PI_EINT5	H4	PI5
PI6/RGMII_NULL/RMII_RXER/UART2_RX/TS0_ERR/TWI0_SDA/PI_EINT6	H5	PI6
PI7/RGMII_TXD3/RMII_NULL/UART2_RTS/TS0_SYNC/TWI1_SCK/PI_EINT7	G4	PI7
PI8/RGMII_TXD2/RMII_NULL/UART2_CTS/TS0_DVLD/TWI1_SDA/PI_EINT8	E6	PI8
PI9/RGMII_TXD1/RMII_TXD1/UART3_TX/TS0_D0/TWI2_SCK/PI_EINT9	D5	PI9
PI10/RGMII_TXD0/RMII_TXD0/UART3_RX/TS0_D1/TWI2_SDA/PI_EINT10	L5	PI10
PI11/RGMII_TXCK/RMII_TXCK/UART3_RTS/TS0_D2/PWM1/PI_EINT11	K4	PI11
PI12/RGMII_TXCTL/RMII_TXEN/UART3_CTS/TS0_D3/PWM2/PI_EINT12	K5	PI12
PI13/RGMII_CLKIN/RMII_NULL/UART4_TX/TS0_D4/PWM3/PI_EINT13	E5	PI13
PI14/MDC/UART4_RX/TS0_D5/PWM4/PI_EINT14	L6	PI14
PI15/MDIO/UART4_RTS/TS0_D6/CLK_FANOUT0/PI_EINT15	L4	PI15
PI16/EPHY_25M/UART4_CTS/TS0_D7/CLK_FANOUT1/PI_EINT16	K6	PI16
VCC_PI	J6	
PL0/RSB_SCK/S_TWI0_SCK	C18	PMU_SCK
PL1/RSB_SDA/S_TWI0_SDA	B18	PMU_SDA

