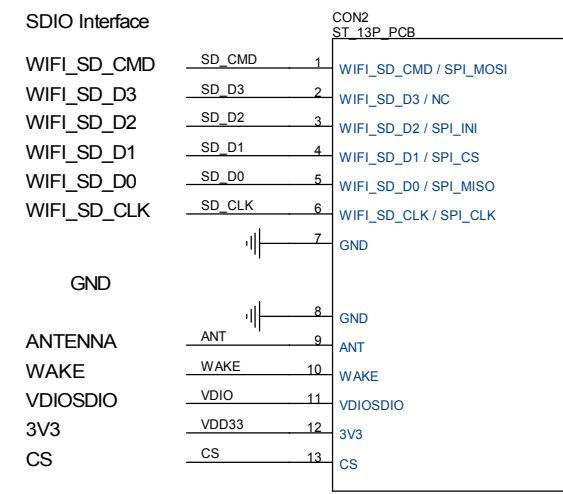
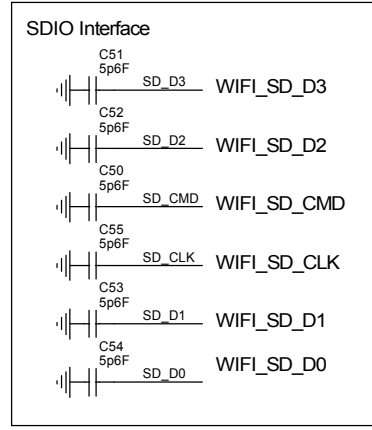
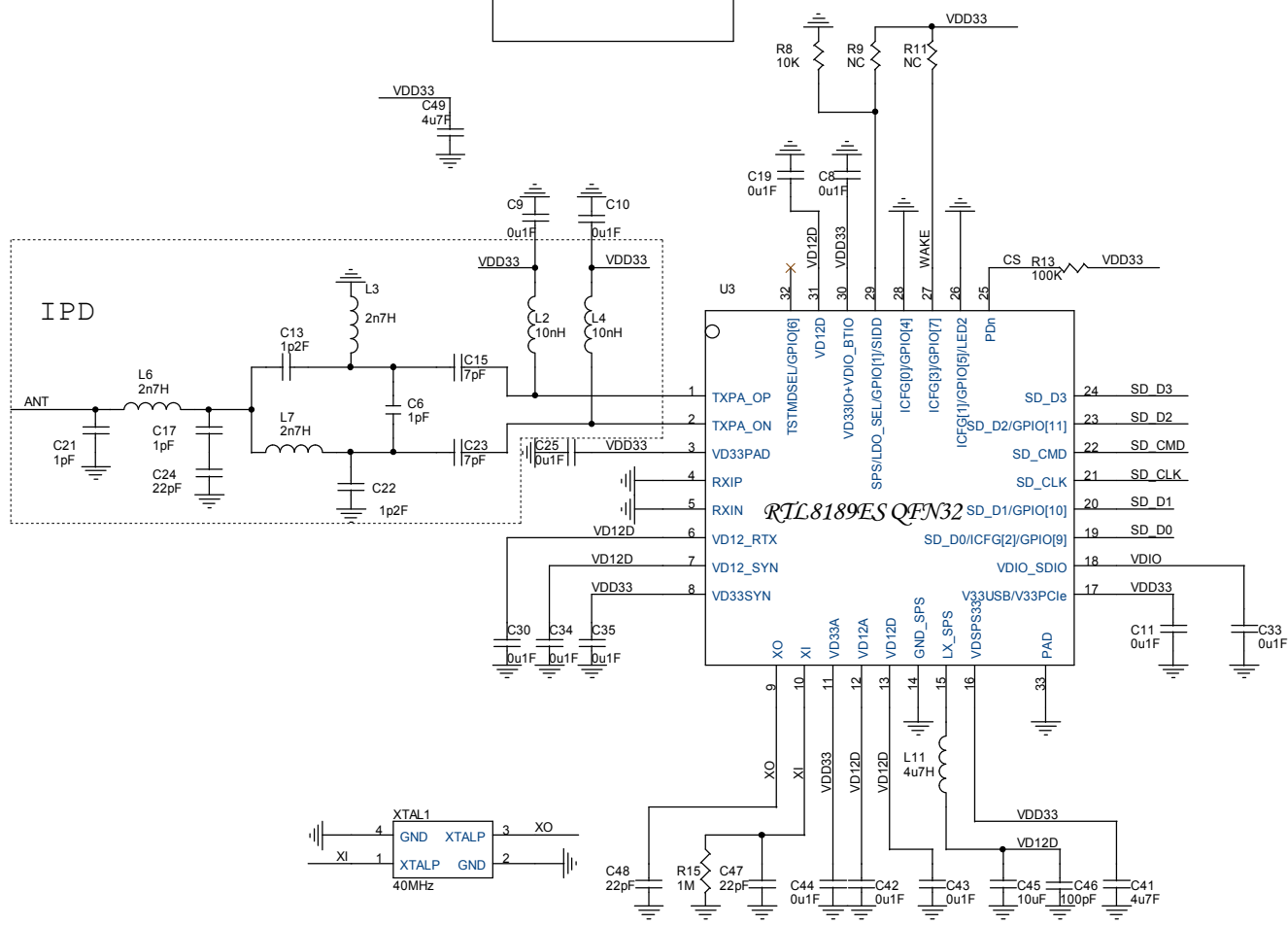


Description #

(1) Internal 1.2V Switching Regulator:
 - 10K for R8 & NC for R9
 - 4.7uH for L11

(2) Internal 1.2V LDO:
 - NC for R8 & 10K for R9
 - 0R/0805 for L11



RTL8189ES STAMP Module-1V0

Realtek Confidential

Title

Size	Document Number	Rev
B		v1

Date: Friday, March 02, 2012 Sheet 1 of 1